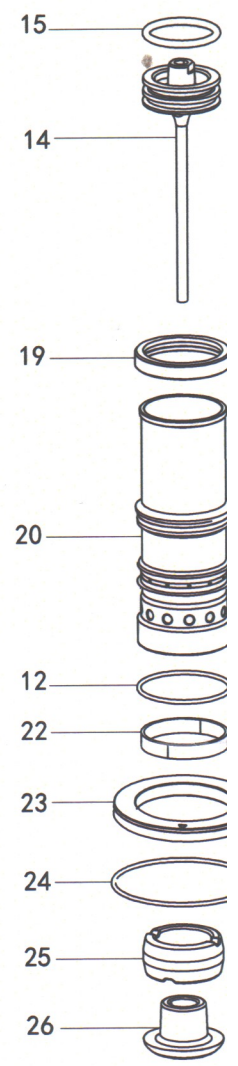
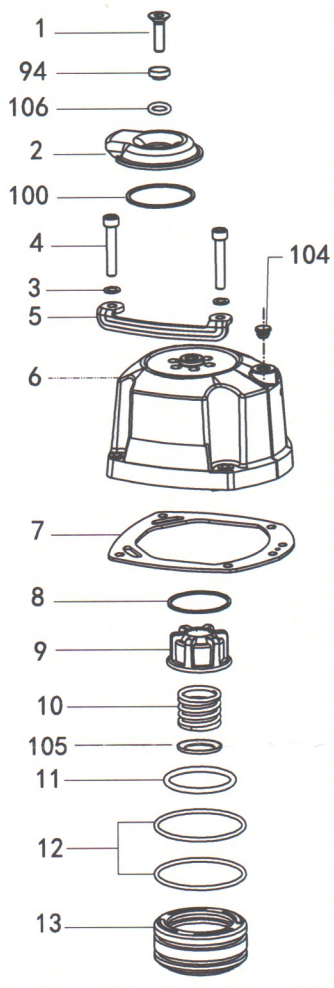


001	2MCN3383-A101	Counter Sunk Screw
002	2MV80-A002	Deflector
003	2MV57-A003	Washer
004	2MV80-A004	Hex. Soc. Hd. Bolt
005	2MV80-A005	Protection
006	2MV80-A006	Cap
007	2MV80-A007	Gasket
008	2MV57-A007	Ring
009	2MV80-A009	Bumper
010	2MV57-A009	Compression Spring
011	2MV57-A011	O-Ring
012	2MV80-A012	O-Ring
013	2MV80-A013	Head Valve Piston
014	2MV80-A014	Driver Unit
015	2MV80-A015	O-Ring
019	2MCN2970-A115	Collar
020	2MV80-A020	Cylinder
022	2MV80-A022	Cylinder Band
023	2MV80-A023	Cylinder Ring
024	2MV80-A024	O-Ring
025	2MCN2970-A121	Bumper-A
026	2MCN2970-A122	Bumper-B
027	2MCN2970-A442	Bolt Cap
028	2MV57-A025	Spring Cover
029	2MV90-A029	Safety
030	2MV80-A030	Safety Spring
031	2MV80-A031	Pin-Nail Stop
032	2MV80-A032	Door
033	2MCN3165-A211	Spring Pin
034	2MV80-A034	Latch Spring
035	2MV90-A035	Door Latch
036	2MV80-A036	Pin
037	2MCN2970-A419	Nail Stop
038	2MV80-A038	Spring
039	2MV80-A039	Hex. Soc. Hd. Bolt
040	2MV90-A040	Nose Piece
041	2MV80-A041	O-Ring
042	2MCN2970-A123	Grommet A
043	2MCN2970-A124	Door Shaft Pin
044	2MCN3165-A216	Spring Pin
045	2MCN2970-A435	Pin Feed Piston
046	2MCN2970-A437	Feed Finger Spring
047	2MV80-A047	Feed Finger
048	2MV80-A048	Feed Piston
049	2MCN2970-A409	Feed Finger Spring
050	2MV80-A050	Feed Bumper
051	2MV70-A046	Feed Piston Cap
052	2MCN2970-A411	C-Ring
054	2MCN2970-A416	Pu Retainer
055	2MV80-A055	O-Ring
056	2MV80-A056	O-Ring
057	2MV80-A057	Body
058	2MCN2970-A402	O-Ring
059	2MV57-A084	Trigger Valve Head
060	2MV57-A065	Plunger
061	2MV57-A066	O-Ring
062	2MV57-A064	Spring
063	2MV57-A061	Valve Plunger
064	2MV57-A063	O-Ring
065	2MV57-A060	O-Ring
066	2MV57-A062	O-Ring
067	2MCN2970-A211	Pin
068	2MV57-A070	Plunger Cap
069	2MV57-A067	O-Ring
070	2MV57-A069	O-Ring
071	2MCN2970-A425	Safety Guide
073	2MV80-A073	Roll Pin
074	2MV80-A074	Roll Pin
075	2MV80-A075	Handle Grip
076	2MV70-A101	Trigger Assy
077	2MV70-A102	Sequential Trigger Assy
079	2MV80-A079	Filter
080	2MV80-A080	End Cap
081	2MV80-A081	O-Ring
082	2MV80-A082	C-Ring
083	2MV80-A083	Magazine Cover
084	2MV80-A084	Spring Base
085	2MV90-A085	Spacer
086	2MV57-A073	Spring
087	2MV80-A087	Magazine Post
088	2MV57-A089	Washer
089	2MV57-A072	Spring Base
090	2MCN2970-A443	Magazine Shaft Pin



Kit Guarnizioni / Kit O-Rings

K100

2MV90-K100

091	2MV90-A091	Magazine Case
092	2MV80-A092	Washer
093	2MV80-A093	Hex. Soc. Hd. Bolt
094	2MV90-A094	Grommet A
095	2MV80-A095	Dusty Cover
096	2MV80-A096	Dust Shield Plug
097	2MV57-A080	Washer
100	2MV80-A100	Washer
102	2MV57-A087	Pu Retainer
103	2MV80-A103	Pin
104	2MCN2970-A103	Grommet
105	2MCN2970-A110	Washer
106	2MV80-A106	O-Ring
110	2MV57-A100	Trigger Valve Assy
K100	2MV90-K100	Kit O-Ring